

INSIDE THIS ISSUE

PG. 2

SPONSOR SPOTLIGHT

PG. 3

TEAM CALENDAR

PG. 4

DEPARTMENTS UPDATED

CAD

PG. 5

PARENT UPDATES

PG. 6

TEAM SPOTLIGHTS



TEAM 223 XTREME HEAT

GRACIOUS PROFESSIONALISM:

THE *FIRST* ETHOS OF *GRACIOUS PROFESSIONALISM* ENCOURAGES HIGH-QUALITY WORK, EMPHASIZES THE VALUE OF OTHERS, AND RESPECTS INDIVIDUALS AND THE COMMUNITY IN PURSUIT OF A MEANINGFUL LIFE.

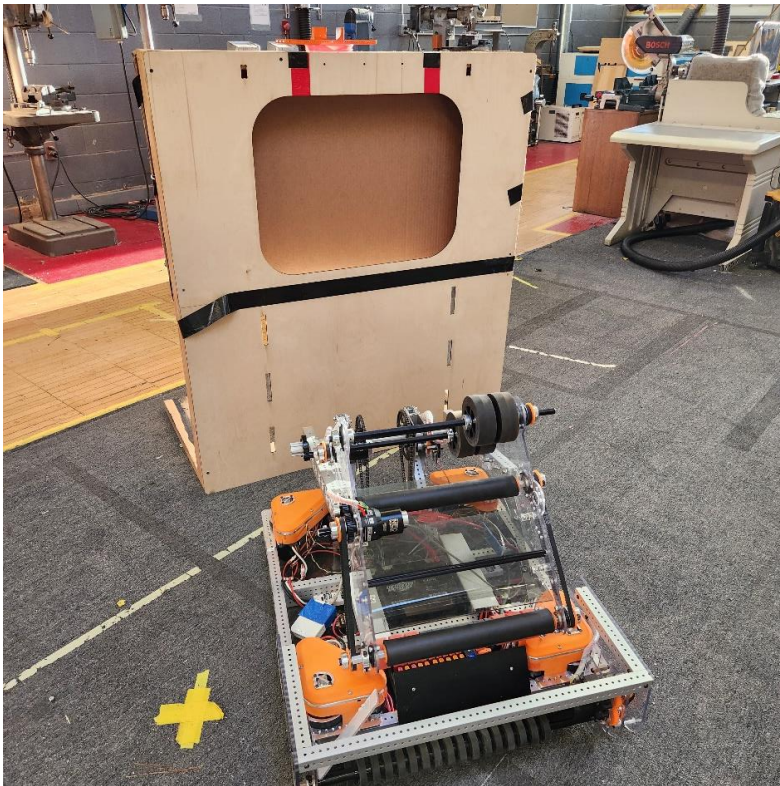
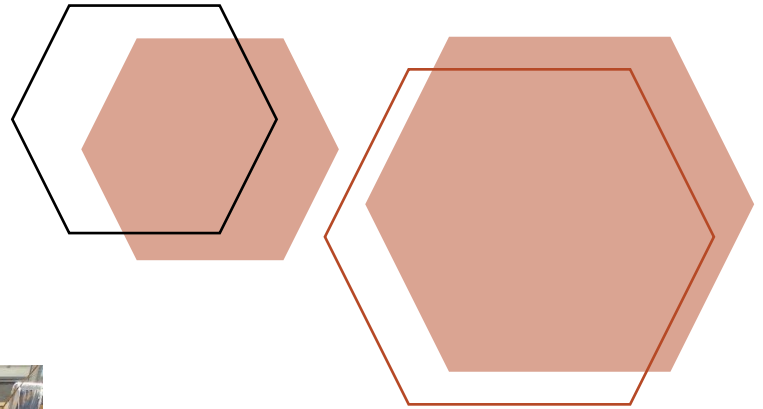
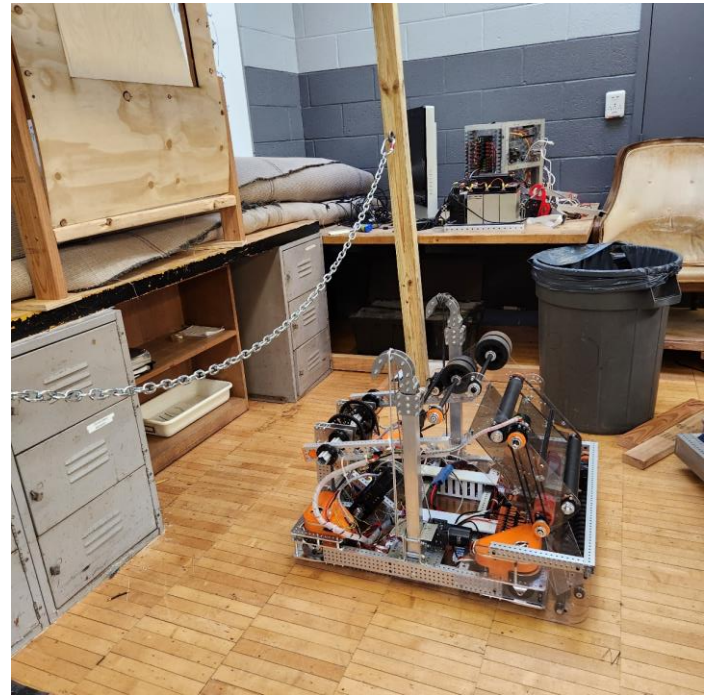
“THINK OF *FIRST* AS A CATALYST IN A CHAIN REACTION. EACH COLLISION RELEASES HUMAN POTENTIAL WHICH FEEDS AN EXPONENTIAL EXPANSION OF ADDITIONAL HUMAN POTENTIAL. *FIRST* STUDENTS SEIZE THIS OPPORTUNITY BY BEING INFORMED, BEING CREATIVE, AND THINKING HARD – ALL THREE, ALL THE TIME.

– DR. WOODIE FLOWERS



ALCAMO
CAPITAL

SPONSOR SPOTLIGHT: A BIG THANK YOU TO OUR NEWEST SPONSOR, ALCAMO CAPITAL. WE ARE REALLY EXCITED TO WORK WITH YOU IN THE FUTURE, AND WE WOULD LOVE TO SEE YOU AT OUR COMPETITION!



TEAM 223 CALENDAR OF EVENTS

PLEASE LET US KNOW IF YOU ARE ABLE TO OUT TO SUPPORT US!
WE WOULD LOVE TO SEE YOU AT A COMPETITION OR TWO!

MARCH 1-3 – FMA DISTRICT MOUNT OLIVE EVENT

MOUNT OLIVE HIGH SCHOOL

MARCH 15-17 – FMA DISTRICT MONTGOMERY EVENT

MONTGOMERY HIGH SCHOOL

APRIL 3-6 – FIRST MID-ATLANTIC DISTRICT CHAMPIONSHIP

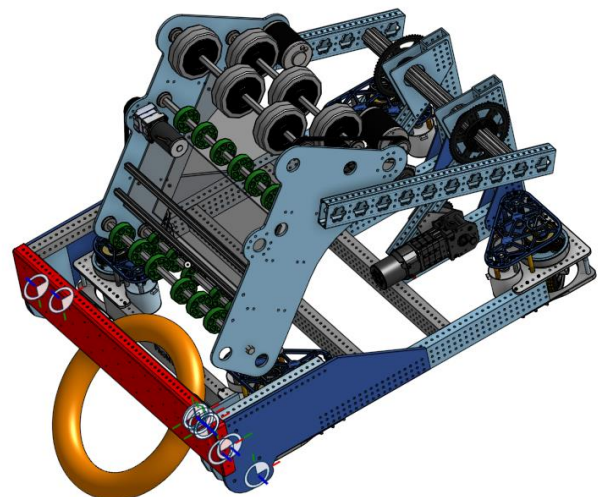
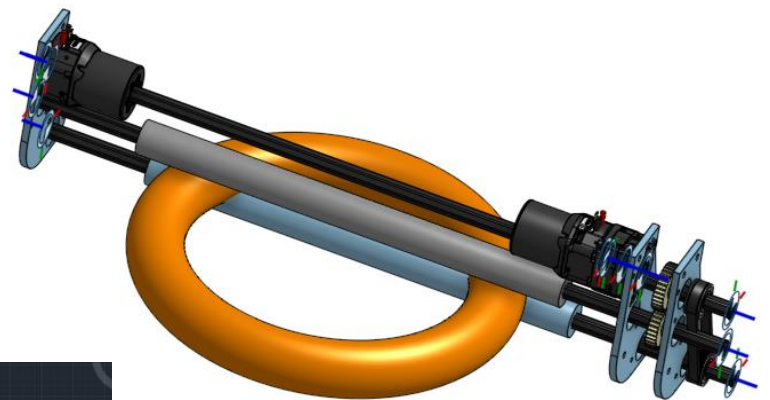
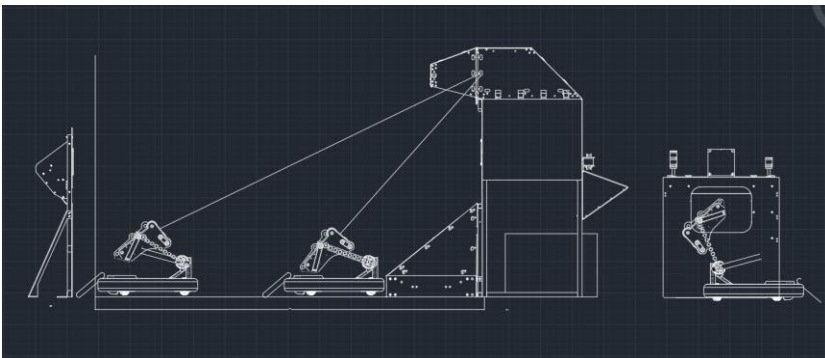
(UPON QUALIFICATION)

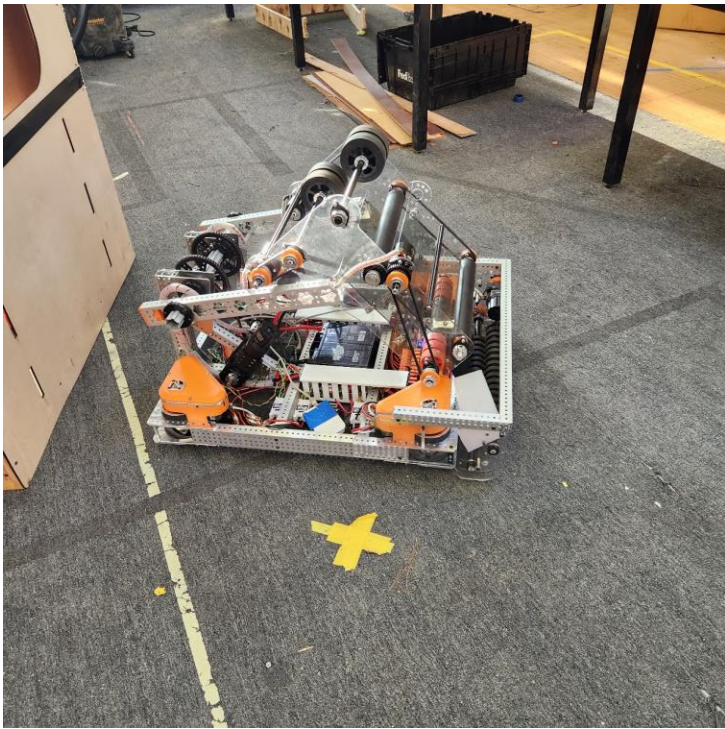
LEHIGH UNIVERSITY

APRIL 17-20 – FIRST CHAMPIONSHIP (UPON QUALIFICATION)

HOUSTON, TX, USA

CAD

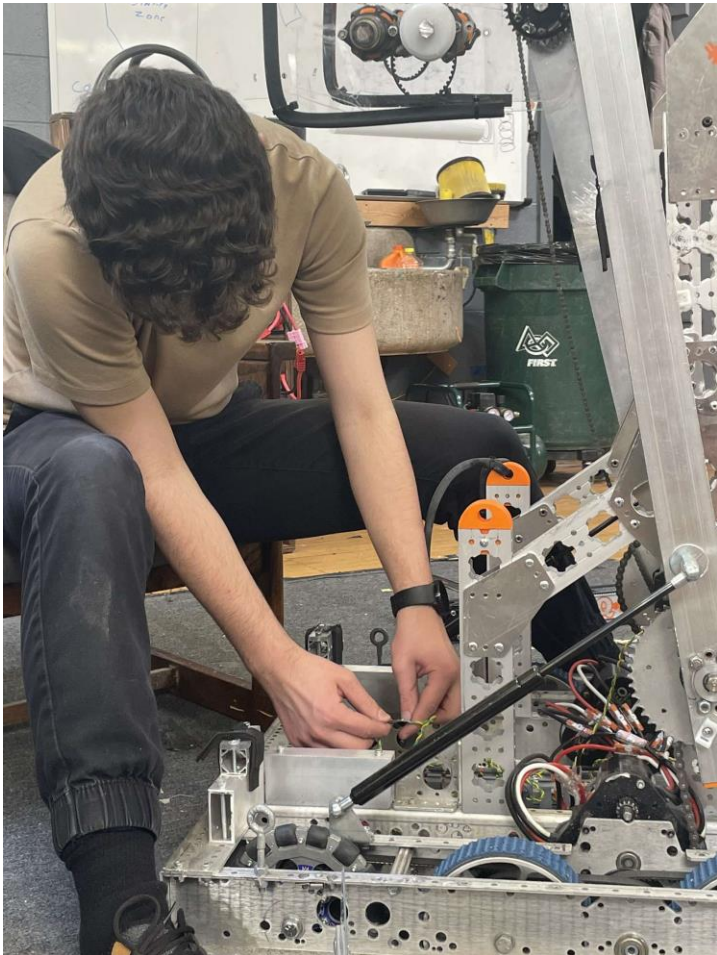
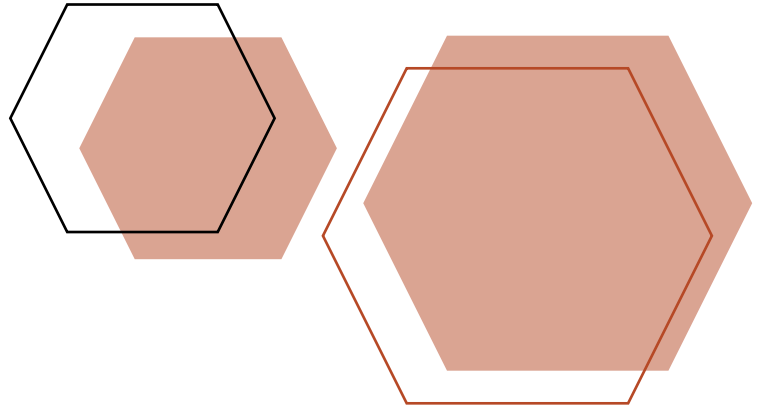




DEPARTMENTS UPDATED

PROGRAMMING

- UPDATING SWERVE TO PHOENIX 6 AND 2024 LIBRARIES
- UNDERTAKER, ARM, AND SHOOTER RUNNING THROUGH CONTROLLERS
- TESTED TO FIND OUT WHAT ANGLES WORKED FOR SHOOTER ARM TO SHOOT INTO TARGETS
- DISCOVERED ARM NEEDED TO BE LENGTHENED FOR AMP SHOT



BUSINESS

- MEDIA MANAGEMENT
- TAKING PICTURES
- NEWSLETTER DRAFTING/PUBLISHING

DESIGN & BUILDING

- BUMPERS AND CLIMBING ARMS COMPLETION
- REFINING INTAKE



PARENT UPDATES

WE ARE LOOKING FOR VOLUNTEERS TO FEED THE TEAM! IF INTERESTED PLEASE FEEL FREE TO SIGN UP.

PLEASE USE THIS [LINK](#)

ALONG WITH MEALS, WE CAN ALWAYS USE INDIVIDUALLY WRAPPED SNACKS (CHIPS, GRANOLA BARS, COOKIES, CRACKERS) AND DRINKS (WATER, SODA) FOR THEIR AFTERNOON SESSIONS.

ALL DONATIONS ARE GREATLY APPRECIATED BY THE TEAM! THIS WOULD NOT BE POSSIBLE WITHOUT ALL OF YOU.

PLEASE CHECK YOUR EMAILS FOR AN EMAIL ABOUT STIMS FROM *FIRST* ROBOTICS. STIMS ALLOWS YOUR STUDENT TO ATTEND COMPETITIONS, AND THEY CANNOT ATTEND WITHOUT COMPLETION. DIRECTIONS ON HOW TO USE STIMS CAN BE FOUND ON OUR TEAM WEBSITE AT TEAM223.COM



MENTOR SPOTLIGHT

KEN GUAHAROU

MY SON JOINED THE TEAM HIS FRESHMAN YEAR OF HIGH SCHOOL. WE HEARD ABOUT THE TEAM WITHIN OUR COMMUNITY. I JOINED AS A SUPPORTIVE PARENT AND THAT RAPIDLY TURNED INTO BECOMING A MENTOR. MY MAIN POSITION IS TO MCGIVER THINGS. THAT IS PART OF PROTOTYPING AND FABRICATION ALONG WITH DESIGN. A FUN FACT ABOUT MYSELF IS I LIKE TO DANCE.

STUDENT SPOTLIGHT

CARTER V

MY NAME IS CARTER. I AM A SENIOR, AND I JOINED THE TEAM MY SOPHOMORE YEAR AFTER HEARING ABOUT THE TEAM FROM A TEAM 223 ALUM. I AM ON THE BUILT TEAM AND I AM A FORMER OPERATOR. IN MY TIME ON THE TEAM, I'VE LEARNED HOW TO CAD USING ONSHAPE. THIS SEASON, I'VE HELPED BUILD VARIOUS PARTS OF THE ROBOT AND I HAVE 3D PRINTED A FEW TIMES. MY FAVORITE MEMORY IS WHEN WE MADE IT TO THE FINALS DURING OUR 2023 WARREN HILLS COMPETITION. THIS SEASON I WOULD LIKE TO SEE THIS TEAM EARN A BLUE BANNER. MY FAVORITE THING ABOUT THIS TEAM IS HOW CONNECTED IT IS. IT COMPRISES ALL OF MY FRIENDS AND IT HAS A GREAT WORK ETHIC.

STUDENT SPOTLIGHT

KRIS F

MY NAME IS KRIS. I AM A SENIOR, AND I JOINED THE TEAM SOPHOMORE YEAR BECAUSE OF AN XTREME HEAT ALUM. THROUGH BEING ON THE TEAM, I'VE GAINED MUCH MORE KNOWLEDGE ON HOW TO EFFECTIVELY WORK AS A TEAM AND HOW TO USE TOOLS AND CAD MORE EFFICIENTLY. MY FAVORITE MEMORY IS BEING ABLE TO GO TO LEHIGH FOR DISTRICT CHAMPIONSHIPS. I WAS THE HUMAN PLAYER FOR TWO YEARS AND I AM A MEMBER OF THE BUILT TEAM. I HAVE BUILT SEVERAL ROLLERS FOR THE ROBOT AS WELL AS BUILDING A SETUP TO TRAIN THIS YEAR'S HUMAN PLAYER. ONE THING I WOULD LIKE TO ACCOMPLISH THIS SEASON IS TO MAKE IT TO ELIMINATIONS AT DISTRICT CHAMPIONSHIPS AT LEHIGH. SOMETHING I LIKE ABOUT THIS TEAM IS HOW THE MEMBERS OF THE TEAM ALL KNOW EACH OTHER AS MORE THAN JUST TEAMMATES AND HAVE DEEPER CONNECTIONS BEYOND THE TEAM.



THANK YOU FOR SUPPORTING OUR TEAM!

CONTACT US

FRC TEAM 223 XTREME HEAT

CONTACT PERSON: RANDY COREN

205 CONKLINTOWN ROAD, WANAQUE, NJ, 07465

973-835-1900 EXT. 798

TEAM223@LAKELAND.K12.NJ.US

TEAM223.COM

INSTAGRAM: @XTREMEHEAT223

TIKTOK: @XTREMEHEAT223

